



Sheet Metal Enclosures  
Distribution Boards  
Minicenter Compact

Power and productivity  
for a better world™





### Contents

General .....	2
Technical Data .....	3
Ordering Details .....	4 - 9
Mounting Kits .....	10 – 12
Spare parts and accessories .....	13
Dimension details .....	14-17

# Distribution Boards

## Minicenter

### General



The ABB range of distribution boards are designed for safety, reliability and availability in the electrical building installation. Complying with IEC 61439 – 3



Type Test Certification

#### Features:

- **Quick & Easy**  
Removal or change of gland plates and fixing of top / bottom extension boxes is quick & easy.
- Easy handling for the user, all screws Pozidrive 2.
- **Reversible door**  
Quick and easy door change from left hand hinge to right hand hinge
- Quick & easy electrical solutions for various installations.
- **Connection options**  
The TP&N distribution boards accept a variety of incoming devices, isolator, miniature circuit breaker, residual current device, MCCB or direct cable connection. The incoming devices are connected to the busbar via various connection kits.
- Front Facia plate provides neat & attractive cover for all incomer options
- Robust spring loaded door catch with key lock
- **Terminals** Large 25 mm<sup>2</sup> earth and neutral terminals delivered in the open position.



# Distribution Boards

## Minicenter

### Technical Data

---

Technical Data	
Standard	IEC BS EN 61439 -1 &-3
Max. load	Row type : 125 amps
	Way type : 125 amps and 200 amps
	Split type : 125 amps
Max. voltage	230 / 400 V ac, 50 / 60 Hz
Range	<b>Row type</b>
No. of rows	1, 2, 3, 4, 5, and 6 rows for 16 modules type
No. of modules	20, 32, 48, 64, 80 and 96 for 16 modules type
	<b>No. of rows</b>
	4 and 5 rows for 24 modules type
	<b>No. of modules</b>
	96 and 120 for 24 modules type
	<b>Way type</b>
	<b>No. of ways</b>
	4, 6, 8, 12, 16, and 20 ways
	<b>Split type</b>
	<b>No. of ways</b>
	2+2, 2+4, 4+4, 4+6, 4+8, 4+10, 4+12, 6+6, 6+8, 6+10, and 8+8
Degree of protection	IP 41, pan assemblies IP 20
Enclosure material	Cold rolled sheet steel, Box and cover 1 mm, (1.5mm on request)
Enclosure finish	Gray, RAL 7035

# Distribution Boards

## Minicenter – Row Type

### Ordering Details

#### Surface mounting

##### Including neutral and earth bars



No. of Rows	No. of Modules	No. of Mod. / Row	Dimensions			Ordering details	
			Height	Width	Depth	Type Code	Type No.
1	20	20	280	400	132	EMC 120 RXS	1SKM120142C0001
2	32	16	500	400	132	EMC 232 RXS	1SKM232142C0001
3	48	16	650	400	132	EMC 348 RXS	1SKM348142C0001
4	64	16	800	400	132	EMC 464 RXS	1SKM464142C0001
5	80	16	950	400	132	EMC 580 RXS	1SKM580142C0001
6	96	16	1140	400	132	EMC 696 RXS	1SKM696142C0001
4	96	24	805	544	132	EMC 0496 RXS	1SKM409144C0001
5	120	24	955	544	132	EMC 5120 RXS	1SKM512144C0001

##### Not including neutral and earth bars



No. of Rows	No. of Modules	No. of Mod. / Row	Dimensions			Ordering details	
			Height	Width	Depth	Type Code	Type No.
1	20	20	280	400	132	EMC 120 RXS/WONE	1SKM120142C0009
2	32	16	500	400	132	EMC 232 RXS/WONE	1SKM232142C0009
3	48	16	650	400	132	EMC 348 RXS/WONE	1SKM348142C0009
4	64	16	800	400	132	EMC 464 RXS/WONE	1SKM464142C0009
5	80	16	950	400	132	EMC 580 RXS/WONE	1SKM580142C0009
6	96	16	1140	400	132	EMC 696 RXS/WONE	1SKM696142C0009
4	96	24	805	544	132	EMC 0496 RXS/WONE	1SKM409144C0009
5	120	24	955	544	132	EMC 5120 RXS/WONE	1SKM512144C0009

##### With Transparent Door

No. of Rows	No. of Modules	No. of Mod. / Row	Dimensions			Ordering details	
			Height	Width	Depth	Type Code	Type No.
1	20	20	280	400	132	EMC 120 RXS/T	1SKM120142C1001
2	32	16	500	400	132	EMC 232 RXS/T	1SKM232142C1001
3	48	16	650	400	132	EMC 348 RXS/T	1SKM348142C1001
4	64	16	800	400	132	EMC 464 RXS/T	1SKM464142C1001
5	80	16	950	400	132	EMC 580 RXS/T	1SKM580142C1001
6	96	16	1140	400	132	EMC 696 RXS/T	1SKM696142C1001
4	96	24	805	544	132	EMC 0496 RXS/T	1SKM409144C1001
5	120	24	955	544	132	EMC 5120 RXS/T	1SKM512144C1001

# Distribution Boards

## Minicenter – Row Type

### Ordering Details

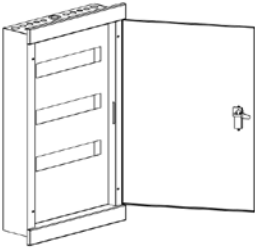
#### Flush mounting

##### Including neutral and earth bars



No. of Rows	No. of Modules	No. of Mod. / Row	Dimensions			Ordering details	
			Height	Width	Depth	Type Code	Type No.
1	20	20	320	420	132	EMC 120 RXF	1SKM120242C0001
2	32	16	540	420	132	EMC 232 RXF	1SKM232242C0001
3	48	16	690	420	132	EMC 348 RXF	1SKM348242C0001
4	64	16	840	420	132	EMC 464 RXF	1SKM464242C0001
5	80	16	990	420	132	EMC 580 RXF	1SKM580242C0001
6	96	16	1180	420	132	EMC 696 RXF	1SKM696242C0001
4	96	24	845	544	132	EMC 0496 RXF	1SKM409242C0001
5	120	24	995	544	132	EMC 5120 RXF	1SKM512243C0001

##### Not including neutral and earth bars



No. of Rows	No. of Modules	No. of Mod. / Row	Dimensions			Ordering details	
			Height	Width	Depth	Type Code	Type No.
1	20	20	320	420	132	EMC 120 RXF/WONE	1SKM120142C0009
2	32	16	540	420	132	EMC 232 RXF/WONE	1SKM232142C0009
3	48	16	690	420	132	EMC 348 RXF/WONE	1SKM348142C0009
4	64	16	840	420	132	EMC 464 RXF/WONE	1SKM464142C0009
5	80	16	990	420	132	EMC 580 RXF/WONE	1SKM580142C0009
6	96	16	1180	420	132	EMC 696 RXF/WONE	1SKM696142C0009
4	96	24	845	544	132	EMC 0496 RXF/WONE	1SKM409624C0009
5	120	24	995	544	132	EMC 5120 RXF/WONE	1SKM512024C0009

##### With Transparent Door

No. of Rows	No. of Modules	No. of Mod. / Row	Dimensions			Ordering details	
			Height	Width	Depth	Type Code	Type No.
1	20	20	320	420	132	EMC 120 RXF/T	1SKM120242C1001
2	32	16	540	420	132	EMC 232 RXF/T	1SKM232242C1001
3	48	16	690	420	132	EMC 348 RXF/T	1SKM348242C1001
4	64	16	840	420	132	EMC 464 RXF/T	1SKM464242C1001
5	80	16	990	420	132	EMC 580 RXF/T	1SKM580242C1001
6	96	16	1180	420	132	EMC 696 RXF/T	1SKM696242C1001
4	96	24	845	544	132	EMC 0496 RXF/T	1SKM409244C1001
5	120	24	995	544	132	EMC 5120 RXF/T	1SKM512244C1001

# Distribution Boards

## Minicenter – Way Type

### Ordering Details

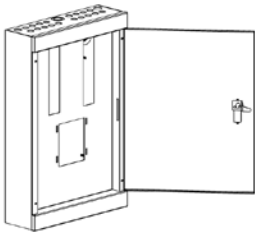
#### Surface mounting

##### Rating 160A



No. of Ways	Dimensions			Ordering details	
	Height	Width	Depth	Type Code	Type No.
4	500	400	132	EMC 312 CS-16	1SKM804142C0111
6	560	400	132	EMC 318 CS-16	1SKM806142C0111
8	610	400	132	EMC 324 CS-16	1SKM808142C0111
12	720	400	132	EMC 336 CS-16	1SKM812142C0111
16	830	400	132	EMC 348 CS-16	1SKM816142C0111
20	1000	400	132	EMC 360 CS-16	1SKM820142C0111
24	1100	400	132	EMC 372 CS-16	1SKM824142C0111

##### Rating 250A



No. of Ways	Dimensions			Ordering details	
	Height	Width	Depth	Type Code	Type No.
4	500	400	132	EMC25 312 CS	1SKM804142C0511
6	560	400	132	EMC25 318 CS	1SKM806142C0511
8	610	400	132	EMC25 324 CS	1SKM808142C0511
12	720	400	132	EMC25 336 CS	1SKM812142C0511
16	830	400	132	EMC25 348 CS	1SKM816142C0511
20	1000	400	132	EMC25 360 CS	1SKM820142C0511
24	1100	400	132	EMC25 372 CS	1SKM824142C0511

#### With Transparent Door

No. of Ways	Dimensions			Ordering details	
	Height	Width	Depth	Type Code	Type No.
4	500	400	132	EMC 312CS-16/T	1SKM804142C1111
6	560	400	132	EMC 318CS-16/T	1SKM806142C1111
8	610	400	132	EMC 324CS-16/T	1SKM808142C1111
12	720	400	132	EMC 336 CS-16/T	1SKM812142C1111
16	830	400	132	EMC 348CS-16/T	1SKM816142C1111
20	1000	400	132	EMC 360CS-16/T	1SKM820142C1111
24	1100	400	132	EMC 372CS-16/T	1SKM824142C1111

#### MX Series - Rating 160A

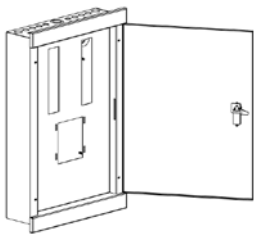
No. of Ways	Dimensions			Ordering details	
	Height	Width	Depth	Type Code	Type No.
4	500	400	132	EMC 312 MXOMS-16	1SKM804142C6111
6	560	400	132	EMC 318 MXOMS-16	1SKM806142C6111
8	610	400	132	EMC 324 MXOMS-16	1SKM808142C6111
12	718	400	132	EMC 336 MXOMS-16	1SKM812142C6111
16	830	400	132	EMC 348 MXOMS-16	1SKM816142C6111
20	1000	400	132	EMC 360 MXOMS-16	1SKM820142C6111
24	1100	400	132	EMC 372 MXOMS-16	1SKM824142C6111



# Distribution Boards

## Minicenter – Way Type

### Ordering Details



#### Flush Mounting

##### Rating 160A

No. of Ways	Dimensions			Ordering details	
	Height	Width	Depth	Type Code	Type No.
4	540	420	132	EMC 312 CF-16	1SKM804242C0111
6	600	420	132	EMC 318 CF-16	1SKM806242C0111
8	650	420	132	EMC 324 CF-16	1SKM808242C0111
12	760	420	132	EMC 336 CF-16	1SKM812242C0111
16	870	420	132	EMC 348 CF-16	1SKM816242C0111
20	1040	420	132	EMC 360 CF-16	1SKM820242C0111
24	1140	420	132	EMC 372 CF-16	1SKM824242C0111

##### Rating 250A

No. of Ways	Dimensions			Ordering details	
	Height	Width	Depth	Type Code	Type No.
4	540	420	132	EMC25 312 CF	1SKM804242C0511
6	600	420	132	EMC25 318 CF	1SKM806242C0511
8	650	420	132	EMC25 324 CF	1SKM808242C0511
12	760	420	132	EMC25 336 CF	1SKM812242C0511
16	870	420	132	EMC25 348 CF	1SKM816242C0511
20	1040	420	132	EMC25 360 CF	1SKM820242C0511
24	1140	420	132	EMC25 372 CF	1SKM824242C0511

#### With Transparent Door

No. of Ways	Dimensions			Ordering details	
	Height	Width	Depth	Type Code	Type No.
4	540	420	132	EMC 312 CF-16/T	1SKM804242C1111
6	600	420	132	EMC 318 CF-16/T	1SKM806242C1111
8	650	420	132	EMC 324 CF-16/T	1SKM808242C1111
12	760	420	132	EMC 336 CF-16/T	1SKM812242C1111
16	870	420	132	EMC 348 CF-16/T	1SKM816242C1111
20	1040	420	132	EMC 360 CF-16/T	1SKM820242C1111
24	1140	420	132	EMC 372 CF-16/T	1SKM824242C1111

#### MX Series - Rating 160A

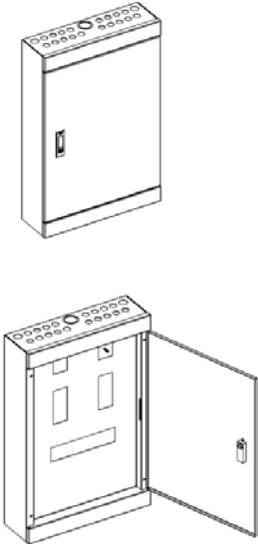
No. of Ways	Dimensions			Ordering details	
	Height	Width	Depth	Type Code	Type No.
4	540	420	132	EMC 312 MXOMF-16	1SKM804242C6111
6	600	420	132	EMC 318 MXOMF-16	1SKM806242C6111
8	650	420	132	EMC 324 MXOMF-16	1SKM808242C6111
12	758	420	132	EMC 336 MXOMF-16	1SKM812242C6111
16	870	420	132	EMC 348 MXOMF-16	1SKM816242C6111
20	1040	420	132	EMC 360 MXOMF-16	1SKM820242C6111
24	1140	420	132	EMC 372 MXOMF-16	1SKM824242C6111

# Distribution Boards

## Minicenter – Split Type

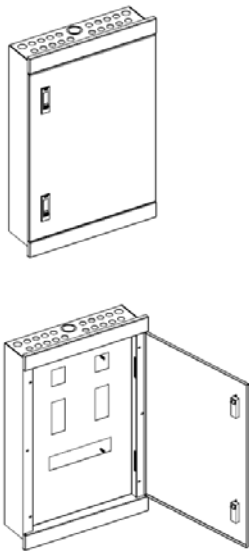
### Ordering Details

#### Surface mounting



No. of Ways	Dimensions			Ordering details	
	Height	Width	Depth	Type Code	Type No.
2+2	560	400	132	EMC-S202 S	1SKM302021C0202
4+2	610	400	132	EMC-S402 S	1SKM304021C0402
2+4	610	400	132	EMC-S204 S	1SKM302041C0204
4+4	720	400	132	EMC-S404 S	1SKM304041C0404
4+6	720	400	132	EMC-S406 S	1SKM304061C0406
6+4	720	400	132	EMC-S604 S	1SKM306041C0604
4+8	830	400	132	EMC-S408 S	1SKM304081C0408
6+6	830	400	132	EMC-S606 S	1SKM306061C0606
8+4	830	400	132	EMC-S804 S	1SKM308041C0804
6+8	830	400	132	EMC-S608 S	1SKM306081C0608
8+6	830	400	132	EMC-S806 S	1SKM308061C0806
10+4	830	400	132	EMC-S104 S	1SKM301041C0104
4+10	830	400	132	EMC-S410 S	1SKM304011C0401
8+8	1000	400	132	EMC-S808 S	1SKM308081C0808
10+6	1000	400	132	EMC-S106 S	1SKM301061C0106
6+10	1000	400	132	EMC-S610 S	1SKM306011C0601
12+4	1000	400	132	EMC-S124 S	1SKM301241C0124
4+12	1000	400	132	EMC-S412 S	1SKM304121C0412

#### Flush mounting



No. of Ways	Dimensions			Ordering details	
	Height	Width	Depth	Type Code	Type No.
2+2	600	420	132	EMC-S202 F	1SKM302022C0202
4+2	650	420	132	EMC-S402 F	1SKM304022C0402
2+4	650	420	132	EMC-S204 F	1SKM302042C0204
4+4	760	420	132	EMC-S404 F	1SKM304042C0404
4+6	760	420	132	EMC-S406 F	1SKM304062C0406
6+4	760	420	132	EMC-S604 F	1SKM306042C0604
4+8	870	420	132	EMC-S408 F	1SKM304082C0408
6+6	870	420	132	EMC-S606 F	1SKM306062C0606
8+4	870	420	132	EMC-S804 F	1SKM308042C0804
6+8	870	420	132	EMC-S608 F	1SKM306082C0608
8+6	870	420	132	EMC-S806 F	1SKM308062C0806
10+4	870	420	132	EMC-S104 F	1SKM301042C0104
4+10	870	420	132	EMC-S401 F	1SKM304011C0401
8+8	1040	420	132	EMC-S808 F	1SKM308082C0808
10+6	1040	420	132	EMC-S106 F	1SKM301062C0106
6+10	1040	420	132	EMC-S610 F	1SKM306012C0601
12+4	1040	420	132	EMC-S124 F	1SKM301242C0124
4+12	1040	420	132	EMC-S412 F	1SKM304122C0412

# Distribution Boards

## Minicenter – Extension Boxes

### Ordering Details

#### Top extension boxes for flush mounting with din-Rail

Item	Dimensions			Ordering details	
	H	W	D	Type Code	Type No.
Sheet steel flap/ 1 row	220	420	154	EMC 200S EXB F	1SKA254242C0001
Sheet steel flap/ 2 row	420	420	154	EMC 400S EXB F	1SKA255242C0001

#### Top extension boxes for surface mounting with Din-Rail

Item	Dimensions			Ordering details	
	H	W	D	Type Code	Type No.
Sheet steel flap/ 1 row	200	400	154	EMC 200S EXB S	1SKA254142C0001
Sheet steel flap/ 2 row	400	400	154	EMC 400S EXB S	1SKA255142C0001

#### Top / bottom extension boxes for flush mounting with back plate

Item	Dimensions			Ordering details	
	H	W	D	Type Code	Type No.
Plain cover	220	420	132	EMC 200 EXB F	1SKA252242C0001
Plain cover	220	420	132	EMC 400 EXB F	1SKA253242C0001

#### Top / bottom extension boxes for surface mounting with back plate

Item	Dimensions			Ordering details	
	H	W	D	Type Code	Type No.
Plain cover	200	400	132	EMC 200 EXB S	1SKA252142C0001
Plain cover	400	400	132	EMC 400 EXB S	1SKA253142C0001

# Distribution Boards

## Minicenter

### Mounting Kits

The TP + N busbar type distribution boards are delivered as standard without incoming kits or incoming devices these need to be ordered separately.

Standard kits (Included with the distribution boards but can also be ordered separately as spares)

Kit contains:

- Covers for unused connection busbar points (1 Strip For 4, 6 ways - 2 Strip For 8, 12 ways - 3 Strip, For 16, 20 ways - 4 Strip For 24 ways)
- Labels for outgoing circuits on door and trim cover (L1,L2,L3) to suit the board configuration
- Two keys for door lock
- Kit parts list
- Instruction leaflet



1SKC 015 022 F0001

Kit No.	No. of Ways	Ordering Details		Weight Kg
		Type code	Type No.	
0	4	EPB KIT 0-1C	1SKA 140 000 C1002	0.04
	6	EPB KIT 0-2C	1SKA 140 000 C1003	0.04
	8	EPB KIT 0-3C	1SKA 140 000 C1004	0.04
	12	EPB KIT 0-4C	1SKA 140 000 C1005	0.04
	16	EPB KIT 0-5C	1SKA 140 000 C1006	0.04
	20	EPB KIT 0-6C	1SKA 140 000 C1007	0.04
	24	EPB KIT 0-7C	1SKA 140 000 C1008	0.05

Isolator incoming kit

Kit contains:

- Terminal shroud
- Cover plate with 3 module opening
- DIN Rail mounting bracket for incoming device
- Kit parts list
- Instruction leaflet



1SKC 015 023 F0001

Kit No.	Incoming device	Ordering Details		Weight Kg
		Type code	Type No.	
8	3 pole isolator or MCB	EPB KIT 8C	1SKA 148 000 C1001	0.12

MCCB incoming kit

Kit contains:

- Copper connector pieces for L1, L2, L3 complete with fixing screws and washers
- Terminal shroud
- Cover plate with opening for T1, T3, A1, A2, XT1, or XT3
- Kit parts list
- Instruction leaflet



1SKC 015 026 F0001

Kit No.	Incoming device	Ordering Details		Weight Kg
		Type code	Type No.	
1	T max T1	EPB KIT 1-T1C1	1SKA 141 000 C3001	0.3
	T max T3	EPB KIT 1-T3C1	1SKA 141 000 C3003	0.4
	XT1	EPB KIT 1-XT1C1	1SKA 141 568 C3001	0.3
	XT3	EPB KIT 1-XT3C1	1SKA 141 568 C3003	0.4
	A1-Formula	EPB KIT 1-A1C1	1SKA 141 354 C3001	0.3
	A3-Formula	EPB KIT 1-A3C1	1SKA 141 354 C3003	0.4

# Distribution Boards

## Minicenter

### Mounting Kits



#### RCCB incoming kit

Kit contains:

- Terminal shroud
- Cover plate with 3 module opening
- DIN Rail mounting bracket for incoming device
- Neutral wire link (flexible blue 16 mm<sup>2</sup>)
- Kit parts list
- Instruction leaflet

Kit No.	Incoming device	Ordering Details		Weight Kg
		Type code	Type No.	
2	4 pole RCCB F200 series	EPB KIT 2C	1SKA 142 000 C1001	0.12



#### Connection kit For TP+N distribution board with DIN Rail (MX version)

For connection of 4 pole isolator to 4 pole RCCB and RCCB to the main busbar terminals and neutral bar

Kit contains:

- Colored flexible cables and comb busbar to connect incoming devices to main Busbars
- Terminal shroud
- Kit parts list
- Instruction leaflet

Kit No.	Incoming device	Ordering Details		Weight Kg
		Type code	Type No.	
7		EPB KIT 7C	1SKA 147 000 C1001	0.47
7	(for EMC... MXOMS...)	EPB KIT 7 OM	1SKA 147 600 C6001	0.47

#### Direct cable connection kit (70mm)

Kit contains:

- Copper connector pieces for L1, L2, L3 complete with fixing screws, washers, and support
- Cover plate
- Two terminal shroud
- Kit parts list
- Instruction leaflet



Kit No.	Incoming device	Ordering Details		Weight Kg
		Type code	Type No.	
4	70 mm direct	EPB KIT 4C1	1SKA 144 000 C3001	0.2

#### Direct cable connection kit (120mm)

Kit contains:

- Copper connector pieces for L1, L2, L3 complete with fixing screws, washers, and support
- Cover plate
- Two terminal shroud
- Kit parts list
- Instruction leaflet



Kit No.	Incoming device	Ordering Details		Weight Kg
		Type code	Type No.	
3	120 mm direct	EPB KIT 3C1	1SKA 143 000 C3001	0.45

# Distribution Boards

## Minicenter

### Mounting Kits



#### Single phase conversion kit

Kit contains:

- Copper connector piece complete with fixing screws, and washers
- Cover plate
- Two terminal shroud
- Kit parts list
- Instruction leaflet

Kit No.	Incoming device	Ordering Details		Weight Kg
		Type code	Type No.	
8	3 pole isolator or MCB	EPB KIT 8C	1SKA 148 000 C1001	0.12

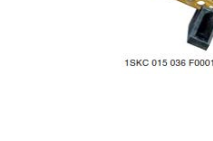
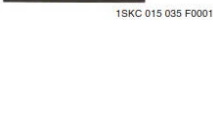
#### Accessories for distribution boards

Kit No.	Accessory type	Ordering Details		Weight Kg
		Type code	Type No.	
1	Flange plate blank	EOB GP1	1SKA 145 000 C0001	0.3
2	Flange plate with knock-outs	EPB GP2		0.3
3	Cylinder lock with keys	EPB CL A1-G		0.2
4	Water proof IP54 swing handle lock with keys	EPBA CL 4AG		0.35

# Distribution Boards

## Minicenter

### Ordering Details



#### Spare parts and general accessories

Description	Ordering Details		Weight Kg
	Type code	Type No.	
Blanking plates used to cover unused MCB ways in the consumer units and distribution boards front cover supplied in a strip of 12 modules.	SZ-BP12	GJF1 101 902 R0008	0.05
Busbar terminal cover used to cover unused outgoing busbar terminals supplied in a strip of 5 pieces.	SZ-BSK1	2CDL 200 001 R0011	0.003
Copper connection terminal for connecting incoming cable to neutral or earth terminal bars.	NPE-CT	1SKB 014 701 P0001	0.03
Terminal shroud	MTSH-C	1SKA 136 000 C0001	0.1
Front facia cover	PEFC-C	1SKA 137 000 C0001	

#### Neutral terminal bar kit complete

Kit contains:

- 1 terminal bar
- 2 terminal bar carrier
- 1 kit shield over
- 1 warning label small size
- 1 copper cable connector with screw and washers
- 2 white numbering labels for N terminal bars

Description	Ordering Details		Weight Kg
	Type code	Type No.	
N-bar 9 holes complete with screws & shield cover 4 way	NTB -04 W	1SKP 011 911 R0001	0.12
N-bar 13 holes complete with screws & shield cover 6 way	NTB-06 W	1SKP 011 911 R0002	0.14
N-bar 17 holes complete with screws & shield cover 8 way	NTB-08 W	1SKP 011 911 R0003	0.16
N-bar 21 holes complete with screws & shield cover 12 way	NTB-12 W	1SKP 011 911 R0004	0.18
N-bar 13&17 holes complete with screws & shield cover 16 way	NTB-16 W	1SKP 011 911 R0005	0.28
N-bar 17&21 holes complete with screws & shield cover 20 way	NTB-20 W	1SKP 011 911 R0006	0.32
N-bar 21&21 holes complete with screws & shield cover 24 way	NTB-24 W	1SKP 011 911 R0007	0.34

#### Earth terminal bar kit complete

Kit contains:

- 1 terminal bar
- 1 copper cable connector with screw and washers
- 2 yellow numbering labels for PE terminal bars
- 1 work instruction

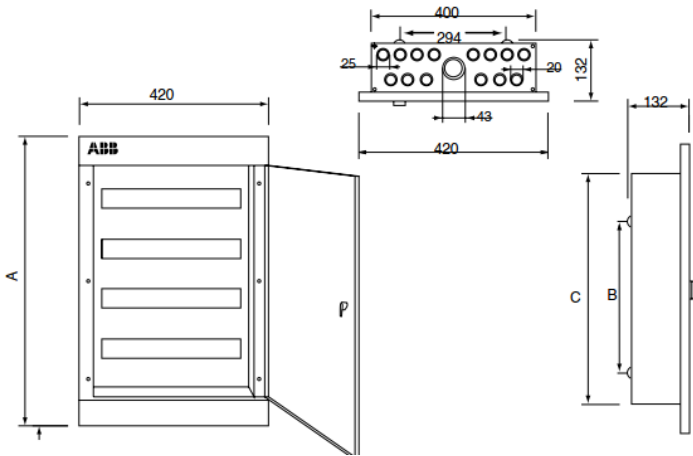
Description	Ordering Details		Weight Kg
	Type code	Type No.	
PE-bar 9 holes complete with screws 4 way	PETB -04 W	1SKP 011 914 R0001	0.08
PE-bar 13 holes complete with screws 6 way	PETB-06 W	1SKP 011 914 R0002	0.1
PE-bar 17 holes complete with screws 8 way	PETB-08 W	1SKP 011 914 R0003	0.12
PE-bar 21 holes complete with screws 12 way	PETB-12 W	1SKP 011 914 R0004	0.14
PE-bar 13&17 holes complete with screws 16 way	PETB-16 W	1SKP 011 914 R0005	0.19
PE-bar 17&21 holes complete with screws 20 way	PETB-20 W	1SKP 011 911 R0006	0.32
PE-bar 21&21 holes complete with screws 24 way	PETB-24 W	1SKP 011 911 R0007	0.34

# Distribution Boards

## Minicenter

### Dimension Details

#### Multi row type distribution boards – Flush mounting



#### Row Type – Flush mounting

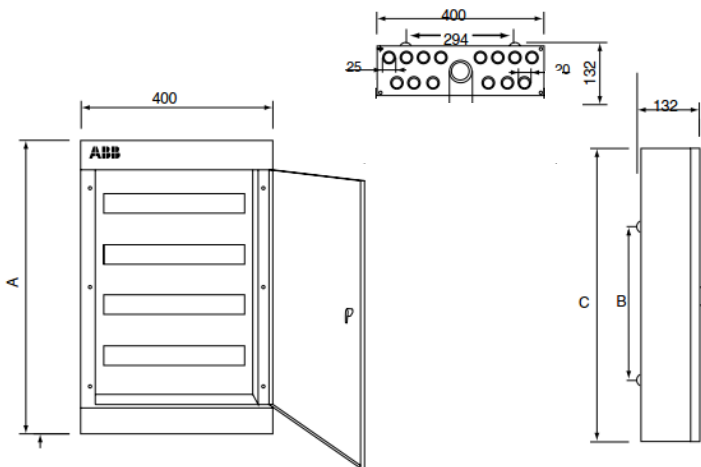
##### 16 Modules / Row – width 420 mm

Type code	No of modules	A	B	C
		mm	mm	mm
EMC 120 RXF	20	320	94	278
EMC 120 RXF/WONE				
EMC 232 RXF	32	540	312	496
EMC 232 RXF/WONE				
EMC 348 RXF	48	690	462	646
EMC 348 RXF/WONE				
EMC 464 RXF	64	840	566	750
EMC 464 RXF/WONE				
EMC 580 RXF	80	990	736	918
EMC 580 RXF/WONE				
EMC 696 RXF	96	1180	956	1140

##### 24 Modules / Row – width 564 mm

Type code	No of modules	A	B	C
		mm	mm	mm
EMC 0496 RXF	96	845	571	755
EMC 0496 RXF/WONE				
EMC 5120 RXF	120	995	741	923
EMC 5120 RXF/WONE				

#### Multi row distribution boards – Surface mounting



#### Row Type – Surface mounting

##### 16 Modules / Row – width 400 mm

Type code	No of modules	A	B
		mm	mm
EMC 120 RXS	20	280	94
EMC 120 RXS/WONE			
EMC 232 RXS	32	500	312
EMC 232 RXS/WONE			
EMC 348 RXS	48	650	462
EMC 348 RXS/WONE			
EMC 464 RXS	64	800	566
EMC 464 RXS/WONE			
EMC 580 RXS	80	950	736
EMC 580 RXS/WONE			
EMC 696 RXS	96	1140	956

##### 24 Modules / Row – width 564 mm

Type code	No of modules	A	B
		mm	mm
EMC 0496 RXS	896	805	571
EMC 0496 RXS/WONE			
EMC 5120 RXS	120	955	741
EMC 5120 RXS/WONE			

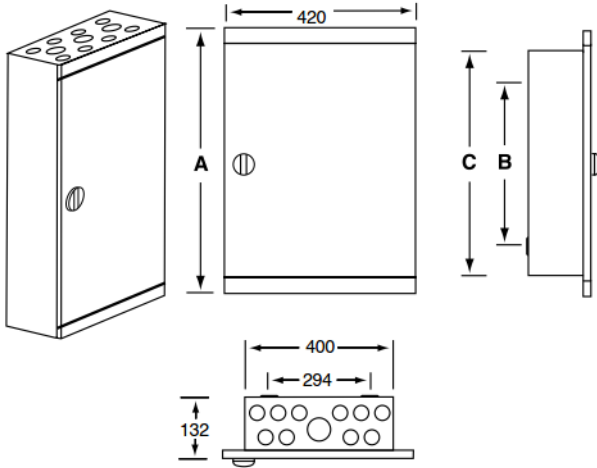


# Distribution Boards

## Minicenter

### Dimension Details

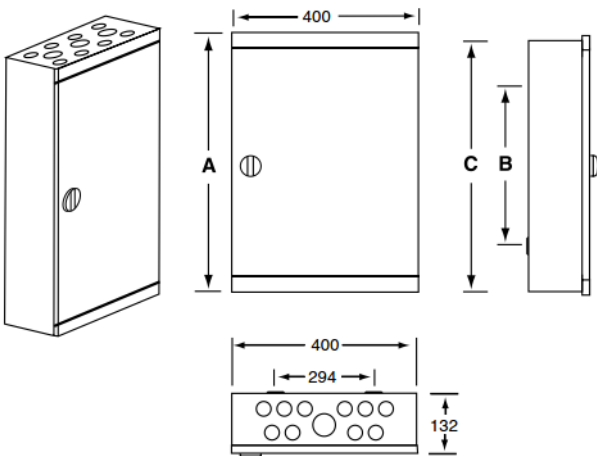
#### Busbar type distribution boards – Flush mounting



#### Busbar Type – Flush mounting

Type code	No of Ways	A	B	C
		mm	mm	mm
EMC 312 CF-16	4	540	316	498
EMC 312 MXOMF-16				
EMC25- 312 CF				
EMC 318 CF-16	6	600	372	558
EMC 318 MXOMF-16				
EMC25- 318 CF				
EMC 324 CF-16	8	650	426	608
EMC 324 MXOMF-16				
EMC25- 324 CF				
EMC 336 CF-16	12	760	534	716
EMC 336 MXOMF-16				
EMC25- 336 CF				
EMC 348 CF-16	16	870	642	828
EMC 348 MXOMF-16				
EMC25- 348 CF				
EMC 360 CF-16	20	1044	814	1000
EMC25- 360 CF				

#### Busbar type distribution boards – Surface mounting



#### Busbar Type – Surface mounting

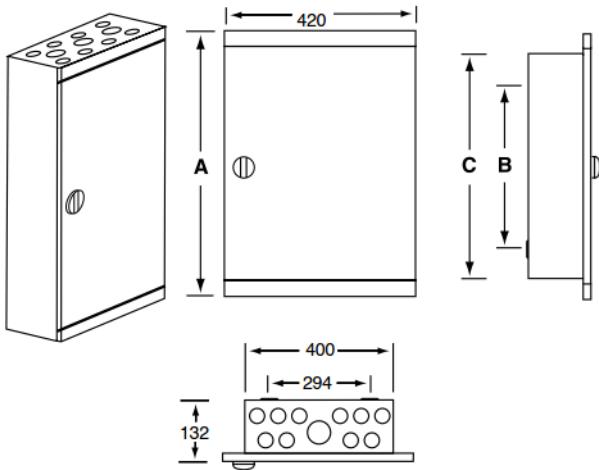
Type code	No of Ways	A	B	C
		mm	mm	mm
EMC 312 CS-16	4	500	316	498
EMC 312 MXOMS-16				
EMC25- 312 CS				
EMC 318 CS-16	6	560	372	558
EMC 318 MXOMS-16				
EMC25- 318 CS				
EMC 324 CS-16	8	610	426	608
EMC 324 MXOMS-16				
EMC25- 324 CS				
EMC 336 CS-16	12	718	534	716
EMC 336 MXOMS-16				
EMC25- 336 CS				
EMC 348 CS-16	16	830	642	828
EMC 348 MXOMS-16				
EMC25- 348 CS				
EMC 360 CS-16	20	1004	814	1000
EMC25- 360 CS				

# Distribution Boards

## Minicenter

### Dimension Details

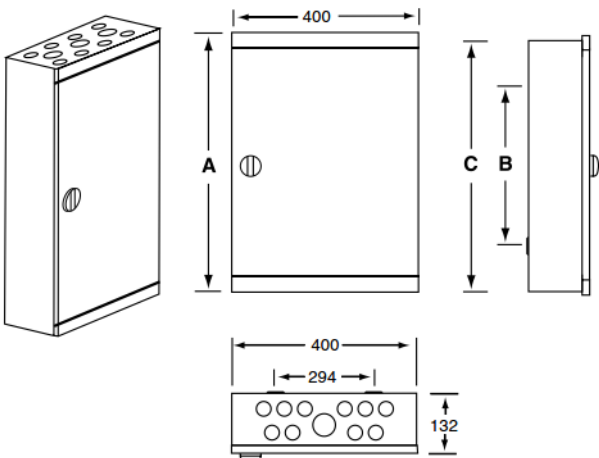
#### Split Busbar type distribution boards – Flush mounting



#### Split Busbar Type – Flush mounting

Type code	No of Ways	A	B	C
		mm	mm	mm
EMC-S202 F	2+2	600	390	558
EMC-S402 F	4+2	650	440	608
EMC-S204 F	2+4	650	440	608
EMC-S404 F	4+4	760	550	718
EMC-S406 F	4+6	760	550	718
EMC-S604 F	6+4	760	550	718
EMC-S408 F	4+8	870	660	828
EMC-S606 F	6+6	870	660	828
EMC-S804 F	8+4	870	660	828
EMC-S608 F	6+8	870	660	828
EMC-S806 F	8+6	870	660	828
EMC-S104 F	10+4	870	660	828
EMC-S401 F	4+10	870	660	828
EMC-S808 F	8+8	1040	830	998
EMC-S106 F	10+6	1040	830	998
EMC-S610 F	6+10	1040	830	998
EMC-S124 F	12+4	1040	830	998
EMC-S412 F	4+12	1040	830	998

#### Split Busbar type distribution boards – Surface mounting



#### Split Busbar Type – Surface mounting

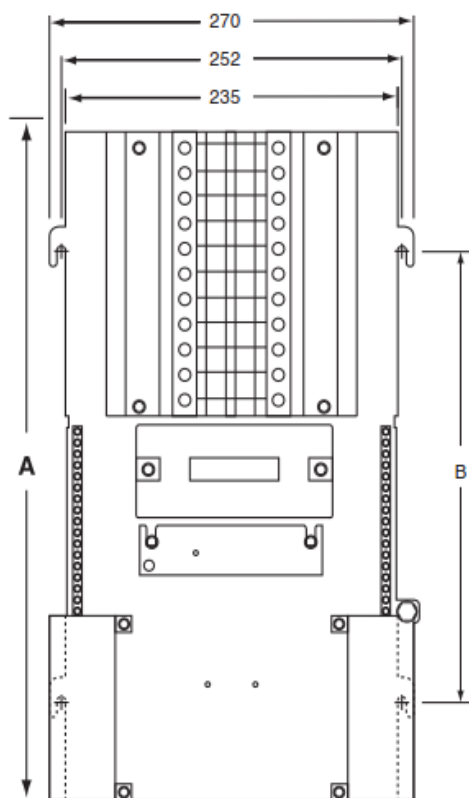
Type code	No of Ways	A	B
		mm	mm
EMC-S202 S	2+2	560	390
EMC-S402 S	4+2	610	440
EMC-S204 S	2+4	610	440
EMC-S404 S	4+4	720	550
EMC-S406 S	4+6	720	550
EMC-S604 S	6+4	720	550
EMC-S408 S	4+8	830	660
EMC-S606 S	6+6	830	660
EMC-S804 S	8+4	830	660
EMC-S608 S	6+8	830	660
EMC-S806 S	8+6	830	660
EMC-S104 S	10+4	830	660
EMC-S410 S	4+10	830	660
EMC-S808 S	8+8	1000	830
EMC-S106 S	10+6	1000	830
EMC-S610 S	6+10	1000	830
EMC-S124 S	12+4	1000	830
EMC-S412 S	4+12	1000	830

# Distribution Boards

## Minicenter

### Dimension Details

#### Protecta compact pan assemblies



Type Code	No. of	A	B
	Ways	mm	mm
EPB 304 PAC-16 EPB25-PA304C	4	375	202
EPB 306 PAC-16 EPB25-PA306C	6	429	256
EPB 308 PAC-16 EPB25-PA308C	8	483	310
EPB 312 PAC-16 EPB25-PA312C	12	591	418
EPB 316 PAC-16 EPB25-PA316C	16	699	526
EPB 320 PAC-16 EPB25-PA320C	20	875	701
EPB 324 PAC-16 EPB25-PA324C	24	1014	841



## Contact us

ABB  
7 Dr. Mohamed Kamel Hussein St.,  
El Nozha El Gedeida, Heliopolis. Cairo, Egypt.  
Tel.:  
Fax:  
LVProducts@eg.abb.com

[www.abb.com](http://www.abb.com)

As part of its on-going product improvement, ABB reserves the right to modify the characteristics or the products described in this document. The information given is not-contractual. For further details please contact the ABB company marketing these products in your country.

No:1SKC802015C0205 - Printed in Egypt (May 2015) - ein advertising designs

Power and productivity  
for a better world™

